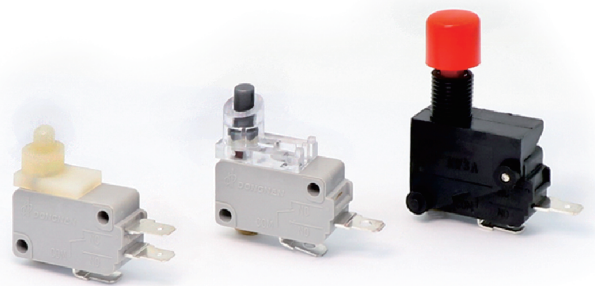


KW3A 微動開關組件 Micro switch groupware

◆ 特點和用途 Characteristic and usage

- 自鎖式或按鈕式，大電流。
Self locked or button type, big current
- 結構緊湊，體積小。
Tight configuration, small size.
- 可直接用手操動
Can be operated by hand
- 用于特殊場合的電源通斷和電氣控制
Applied to power on/off and electric control in special situations



◆ 技術特性 Technical Characteristics

項目 Item		特性值 Value	
		按鈕型 Button type	自鎖型 Self lock
溫度等級 Degree of temperature		T105	
額定電壓 Rated voltage		AC250V	
絕緣電阻 Insulation resistance		≥100MΩ (500VDC)	
接觸電阻 Contact resistance		≤30mΩ (初始值 initial value)	
耐電壓 Test voltage	同極不相接端子間 Between terminals of the same polarity	AC1000V, 50/60Hz, 1min	
	帶電金屬零件與地(外殼)之間、接綫端與不帶電金屬件之間 Between current-carrying metal parts and ground(case), and between each terminal and non-current-carrying metal parts.	AC3750V, 50/60Hz, 1min	
電氣壽命 Electrical life		50,000次/cycles	10,000次/cycles

◆ 型號規格命名及含義 Model number legend and meanings

KW3A - □ □ □ □ □ - (□)
 1 2 3 4 5 6

1 結構型式 Configuration types	A: 按鈕型 Button type B: 自鎖型 Self lock	4 端子類型 Terminal types	見P13表格中7端子類型 Please see the 7 terminal types in the form of page 13
2 額定值 Ratings	見P12表格中額定值 Please see the rating in the form of Page12	5 按鈕顏色 Button color	R:紅色 Red G:綠色 Green B:藍色 Blue (僅適用於按鈕型 Only used in Button type)
3 接觸形式 Circuit	Z: 轉換式 SPDT T: 常開(接通)式 SPST-NO D: 常閉(按斷)式 SPST-NC	6 附加規格編號 Additional spec numbers	適用於:當開關組件與標準規格有某些差別時。 Apply to: When switch components have some difference with standard specifications. 附加規格編號用阿拉伯數字表示, 在沒有附加規格編號時, 該位置空缺。 Additional specs number shows by Arabic numerals. If there is no additional numbers,the place is vacant.

微動開關系列
MICRO SWITCH SERIES

KW3A

KW4A

KW4A(S)

KW10

MS1

MS2

MS3

MS5

MS10

防水開關系列
WATERPROOF SWITCH SERIES

WS1

WS1L

WS2

WS3

WS4

WS5

WS6

WS7

電源開關系列
POWER SWITCH SERIES

KDC-A11

KDC-A04

PS4

PS5

PS6

RS1

RS2

RS3

其他開關系列
OTHER SWITCH SERIES

SP02

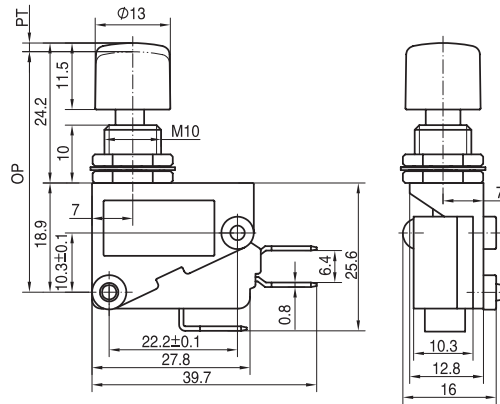
KXZ2

PRS1

Since 1995, we focus on switches

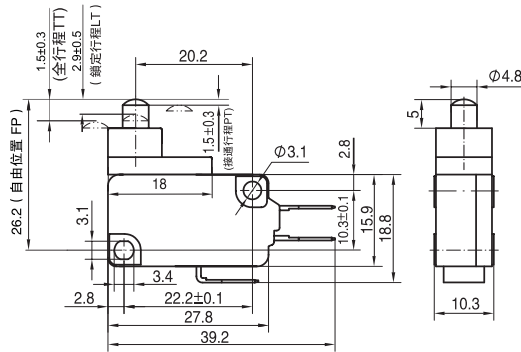
◆ 外形和安裝尺寸 Outline and mounting dimensions

KW3A-A□ZA□



OF (N)	1.50-2.00
RF Min (N)	0.40
PT Max (mm)	1.2
OT Min (mm)	1.0
MD Max (mm)	0.4
OP (mm)	42 ± 0.5

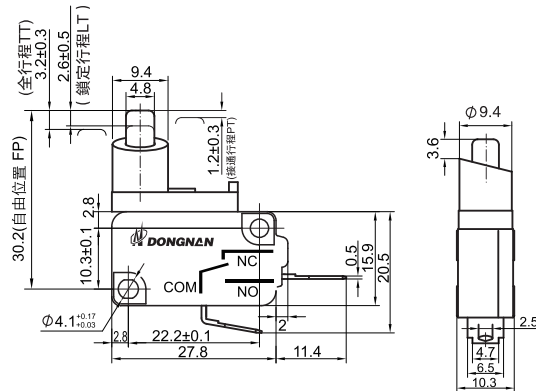
KW3A-B16ZC



Total travel

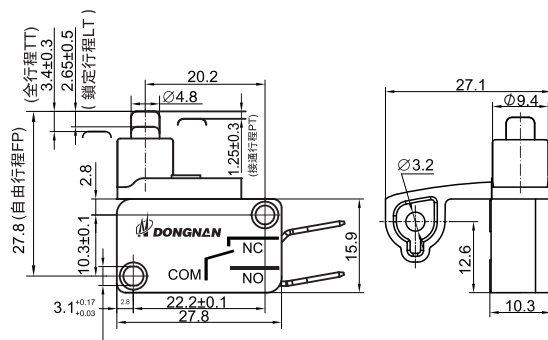
OF (N)	2.00-4.00
RF min(N)	3.6±0.3
PT (mm)	2.9±0.5
TT (mm)	1.5±0.3

KW3A-B16TD-02



OF (N)	2.00-4.00
TT (mm)	3.2±0.3
LT (mm)	2.6±0.5
PT (mm)	1.2±0.3

KW3A-B16TD-1003



OF (N)	2.00-4.00
TT (mm)	3.4±0.3
LT (mm)	2.65±0.5
PT (mm)	1.25±0.3

微動開關系列
MICRO SWITCH SERIES

KW3A

KW4A

KW4A(S)

KW10

MS1

MS2

MS3

MS5

MS10

防水開關系列
WATERPROOF SWITCH SERIES

WS1

WS1L

WS2

WS3

WS4

WS5

WS6

WS7

電源開關系列
POWER SWITCH SERIES

KDC-A11

KDC-A04

PS4

PS5

PS6

RS1

RS2

RS3

其他開關系列
OTHER SWITCH SERIES

SP02

KXZ2

PRS1

微動開關系列
MICRO SWITCH SERIES

- KW3A
- KW4A
- KW4A(S)
- KW10
- MS1
- MS2
- MS3
- MS5
- MS10

防水開關系列
WATERPROOF SWITCH SERIES

- WS1
- WS1L
- WS2
- WS3
- WS4
- WS5
- WS6
- WS7

電源開關系列
POWER SWITCH SERIES

- KDC-A11
- KDC-A04
- PS4
- PS5
- PS6
- RS1
- RS2
- RS3

其他開關系列
OTHER SWITCH SERIES

- SP02
- KXZ2
- PRS1

KW3A 微動開關組件貳 Micro switch groupware

◆ 特點和用途 Characteristic and usage

- 防傾倒式，大電流。
Safety type, big current.
- 可利用開關方向和位置的變化，實現電源通斷的自動切換。
Using the change of switch direction and position then automatically control the power on or off.



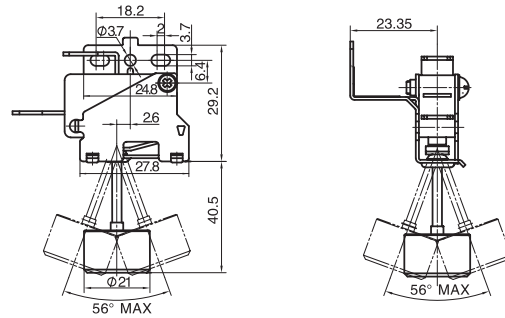
◆ 型號規格命名及含義 Model number legend and meanings

KW3A- □ □ □ □ - □ □ □ □ - (□)
1 2 3 6 7 8 9 10 11

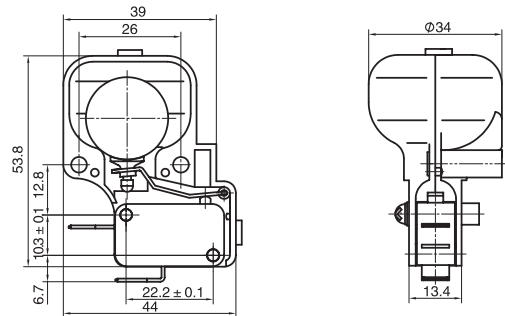
1	2	3	6-11
結構型式 Configuration types	額定值 Ratings	接觸形式 Circuit	
C-防傾倒式 I Safety type I D- 防傾倒式 II Safety type II	見P12表格中額定值 Please see the rating in the form of Page12	Z: 轉換式 SPDT T: 常開(按通)式 SPST-NO D: 常閉(按斷)式 SPST-NC	含義同KW3A基本型相應編號6-11,見本目錄第8頁。 Same meaning with KW3A basic part number naming (6-11), see catalogue page 8.

◆ 外形和安裝尺寸 Appearance and mounting dimensions

KW3A-C□DB-A120A



KW3A-D□DB-A100B



防傾倒式 Safety type III
KW3A-16TA□9B-A080A

