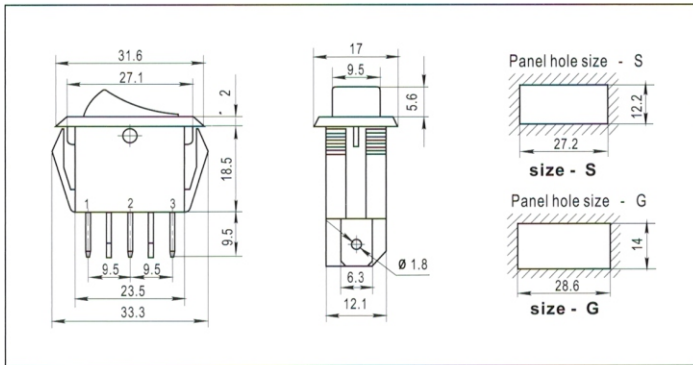
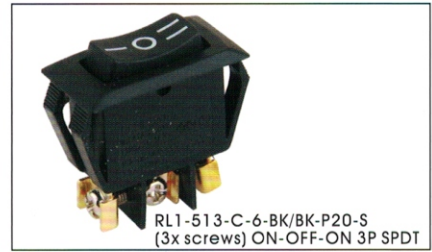
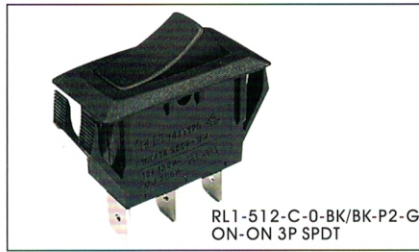
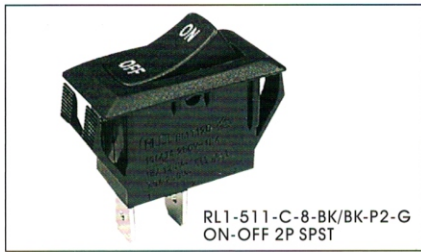


Since 1995, we focus on switches



16(4)A 250VAC T125/55 1E4  
15A 125V/7.5A 250VAC  
(H)Rating: 20A 125V 3/4HP T105

## RL1-5 - 11/N - C - 2 - RE/BK - P1 - S... (2)

Function		Cap Type		Cap Printing		Cap Color/Housing		Terminal	Panel hole size	Voltage		
11/N	ON-OFF 3P W/Lamp	A	Flat	0	None	BK	Black	 (P1) 10, 6.3, $\phi 1.8$	S	Size-S	1	110VAC
11	ON-OFF 2P	C	Soft Line	1		WT	White		G	Size-G	2	220VAC
12	ON-ON 3P			2		RE	Red	 (P2) 10, 6.3, $\phi 2.1$			3	12VDC
13	ON-OFF-ON 3P			3		OR	Orange				4	24VDC
11(ON)	(ON)-OFF 2P			4		GR	Green	 (P20) 10, 6.3, $\phi 3.0$				
11(OFF)	ON-(OFF) 2P			5		BL	Blue					
12(ON)	(ON)-ON 3P			6		GE	Grey					
13(ON)	(ON)-OFF-ON 3P			7								
				8								
				16								
				38								