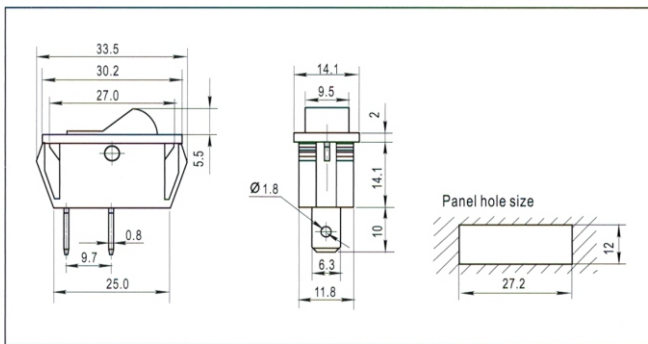


Since 1995, we focus on switches



16(4)A 250VAC T125/55 1E4
15A 125V/7.5A 250VAC

RL1-5(Y) - 11 - B - 10 - BK/BK - P1

Function		Cap Type		Cap Printing		Cap Color/Housing		Terminal	
11	ON-OFF 2P	B	Angle	0	None	BK	Black	(P1)	
12	ON-ON 3P	C	Soft Line	1		WT	White	(P2)	
13	ON-OFF-ON 3P			2		RE	Red	(P4)	
				10		GE	Grey	(P14)	
				14					