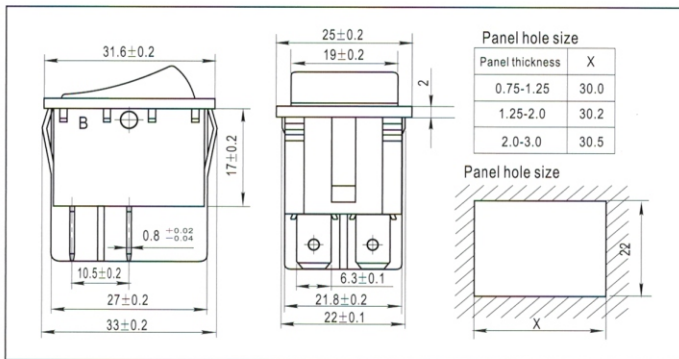
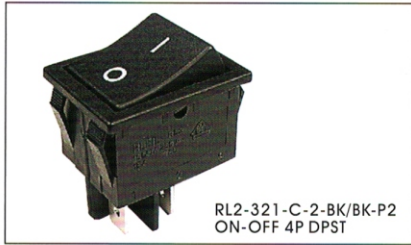
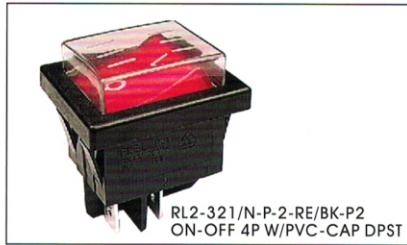
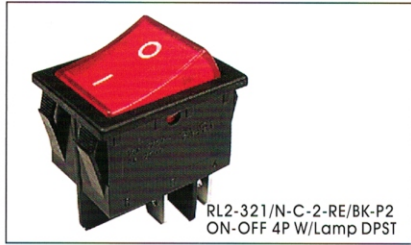


Since 1995, we focus on switches



16(4)A 250VAC T125/55 1E4
16A 125V/8A 250VAC
(H)Rating: 16(8)A 250VAC T85/55 1E4

RL2-3 - 21/N - C - 2 - RE/BK - P1... (2)

Function		Cap Type		Cap Printing		Cap Color/Housing		Terminal		Voltage	
00	Indicator Lamp	A	Flat	0	None	BK	Black	 (P1) 6.3 ϕ 1.8	1	110VAC	
21/N	ON-OFF 4P W/Lamp	C	Soft Line	1		WT	White		2	220VAC	
21	ON-OFF 4P	D	W/Round Len	2		RE	Red	 (P2) 6.3 ϕ 2.1	3	12VDC	
22	ON-ON 6P	P	W/PVC-CAP	3		OR	Orange		4	24VDC	
23	ON-OFF-ON 6P	7		4		GR	Green	 (P4) 4.8 ϕ 1.6			
21(ON)	(ON)-OFF 4P	8		5		BL	Blue				
23(ON)	(ON)-OFF-ON 6P	28		6							
23(2xON)	(ON)-OFF-(ON) 6P										
11	ON-OFF 2P							 (P20) 6.3 ϕ 3.0			
12	ON-ON 3P								 (P14) 6.3 ϕ 2.5		
13	ON-OFF-ON 3P							 (P20-screw) 6.3 ϕ 3.0			
23/N	ON-OFF-ON W/Lamp										